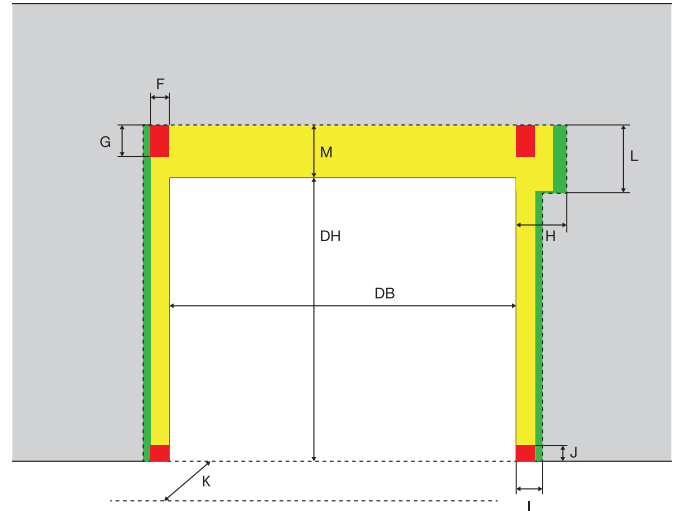
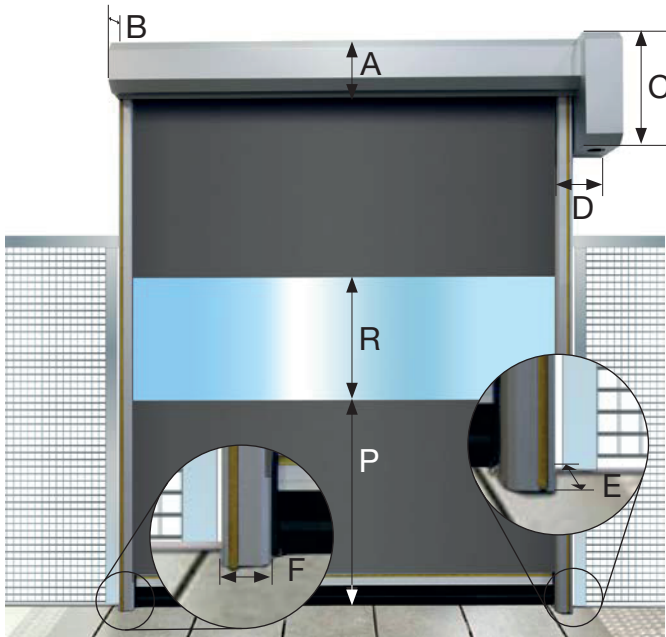


NORDIC 344-protect



- Door area (flush surface required)
- Fixing area
- Free space required for installation

Measurements:

| | |
|----|--|
| DB | clear width |
| DH | clear height |
| P | vision panel bottom level (optional) |
| R | vision panel height (optional) |
| A | 255 |
| B | 265 |
| C | 640 (570 mm with GFA drive) |
| D | 260 |
| E | 120 |
| F | 80 |
| G | 250 |
| H | 350 |
| I | 150 |
| J | 100 |
| K | 500 (free space in front of door for installation) |
| L | 650 |
| M | 450 |
| S | 265 (365 mm with GFA drive) |

